

## **09** Cargo Security



# ANCHORING ELEMENTS - BOWLS

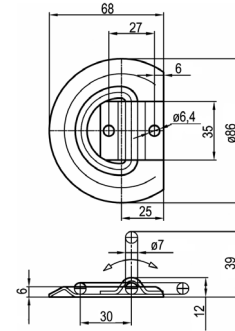
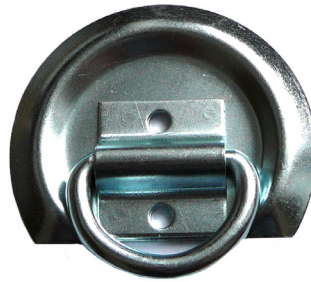
## 0911001.000

### Anchoring bowl for floor mounting

Load capacity: approx. up to 7.50 kN (750 daN)

Material: galvanized steel

Weight: 0.150 kg/pc

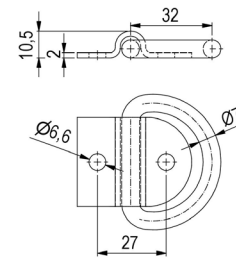


## 0911001.100

### Anchoring eye with shackle 750 kg

Material: galvanized steel

Weight: 0.1 kg/pc

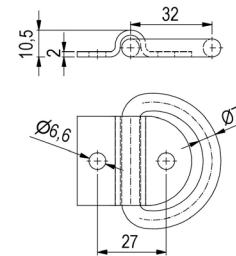


## 0911001.500

### Anchoring eye with shackle 750 kg

Material: stainless steel A2

Weight: 0.07 kg/pc



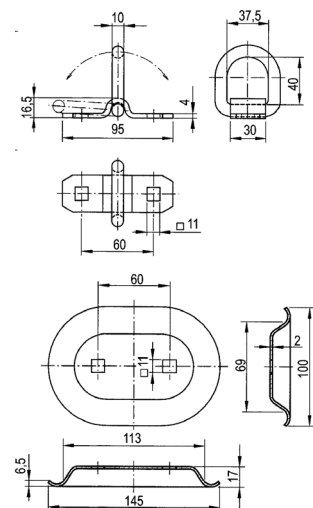
## 0911002.000

### Anchoring bowl for recessing into the floor complete

Load capacity: approx. up to 15 kN (1,500 daN)

Material: galvanized steel

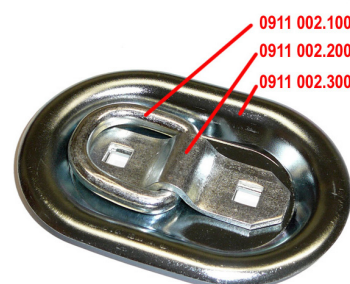
Weight: 0.435 kg/pc



## Spare parts

pro 0911002.000

| TT-number   | Name    | Weight kg/pc |
|-------------|---------|--------------|
| 0911002.100 | Ring    | 0.09         |
| 0911002.200 | Shackle | 0.09         |
| 0911002.300 | Bowl    | 0.25         |



# ANCHORING ELEMENTS - BOWLS

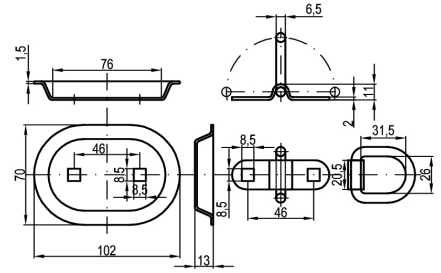
**0911032.000**

**Anchoring bowl for recessing into the floor complete**

Load capacity: approx. up to 3 kN (300 daN)

Material: galvanized steel

Weight: 0.35 kg/pc



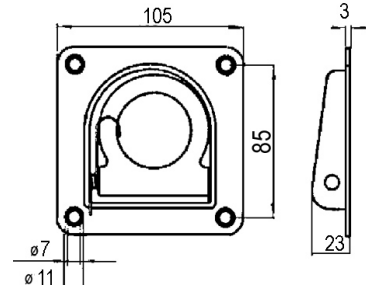
**0911003.000**

**Anchoring bowl for recessing into the floor**

Load capacity: approx. up to 8 kN (800 daN)

Material: galvanized steel

Weight: 0.46 kg/pc



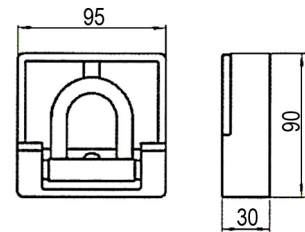
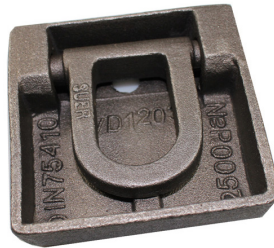
**0911012.000**

**Anchoring bowl 90 x 95 x 30 mm**

Load capacity: approx. up to 25 kN (2500 daN)

Material: steel

Weight: 0.94 kg/pc



**0911004.100**

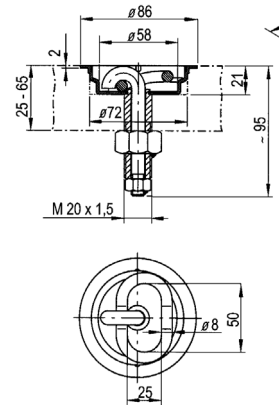
**BISON anchoring bowl for recessing into the floor**

Load capacity: approx. up to 19 kN (1,900 daN)

Material: galvanized steel

Weight: 0.4 kg/pc

DIN 75 410



**0911004.100**

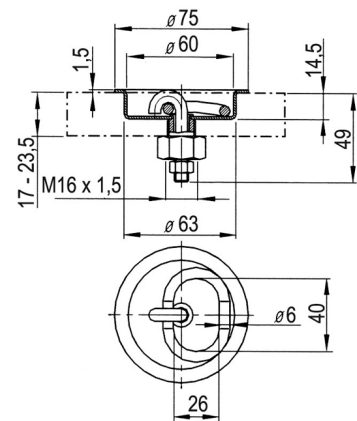
**BISON anchoring bowl for recessing into the floor**

Load capacity: approx. up to 19 kN (1,900 daN)

Material: galvanized steel

Weight: 0.4 kg/pc

DIN 75 410



# ANCHORING ELEMENTS - FOR ANCHORING WITH LASHING STRAP SETS

## 0911007.000

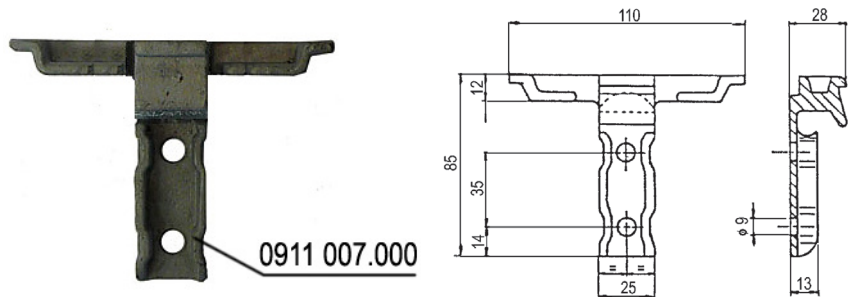
### Anchoring bowl - hitch

Designed for Al frame profiles

Load capacity max. 20 kN (2,000 daN)

Material: galvanized steel

Weight: 0.190 kg/pc



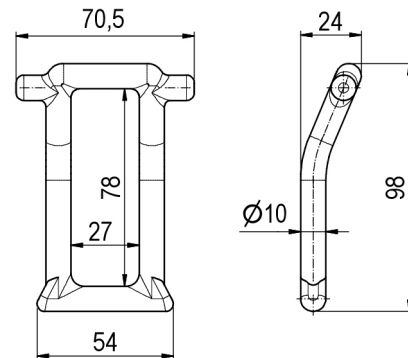
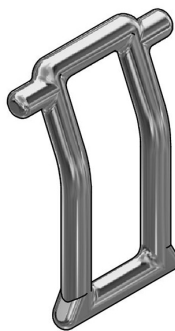
## 0911008.100

### Anchoring bowl - eye 2000 daN

Load capacity: max. up to 2000 daN

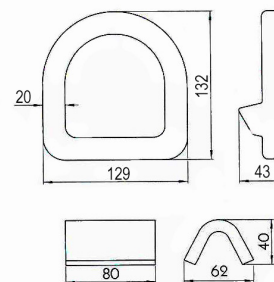
Material: galvanized steel

Weight: 0.18 kg/pc



## 0911015.000

### Anchoring bowl 15,000 kg complete set



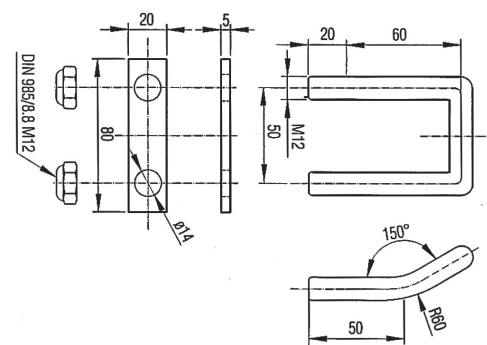
## 0911020.000

### Anchoring shackle for frame - complete set

Load capacity: max up to 2000 daN

Material: galvanized steel

Weight: 0.33 kg/pc



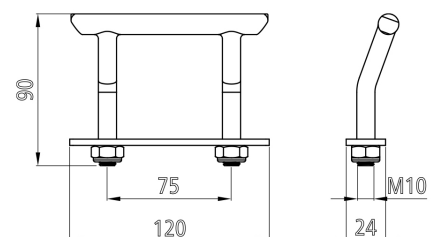
## 0911021.000

### Anchoring shackle for frame - complete set

Load capacity: max up to 2500 daN

Material: galvanized steel

Weight: 0.33 kg/pc



# ANCHORING ELEMENTS - FOR ANCHORING WITH LASHING STRAP SETS

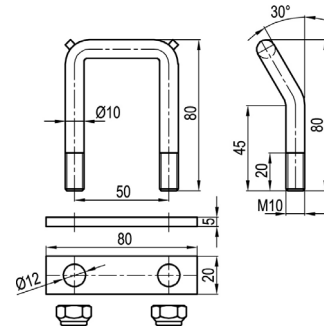
**0911022.000**

**Anchoring shackle for frame - complete set**

Load capacity: max. up to 1000 daN

Material: galvanized steel

Weight: 0.25 kg/pc



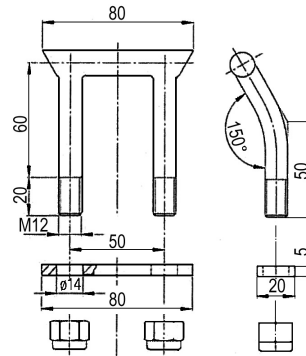
**0911023.000**

**Anchoring shackle for frame - complete set**

Load capacity: max. up to 1000 daN

Material: galvanized steel

Weight: 0.25 kg/pc



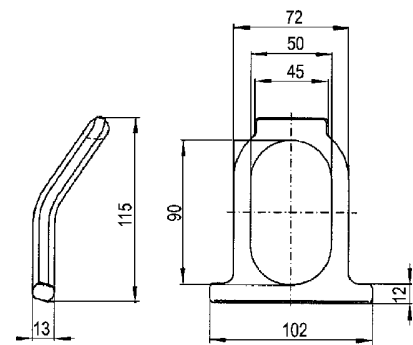
**0911024.000**

**Anchoring eye for hitch**

Load capacity: up to 3000 daN

Material: steel

Weight: 0.35 kg/pc



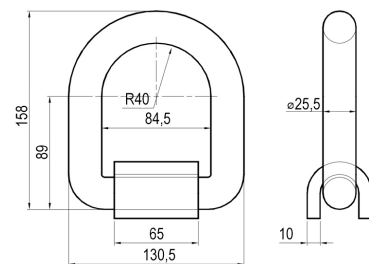
**0911030.000**

**Anchoring bowl**

Load capacity: up to 12,000 daN

Material: natural steel

Weight: 2 kg/pc



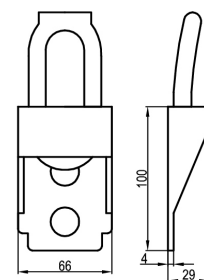
**0911033.000**

**Anchoring bowl - complete set**

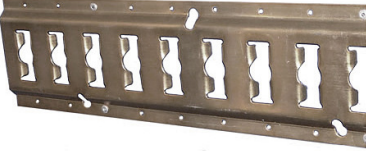
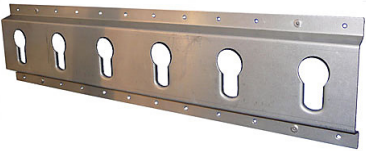
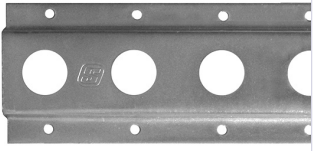
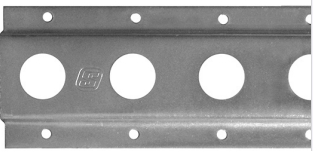
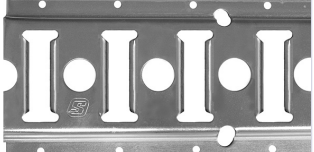
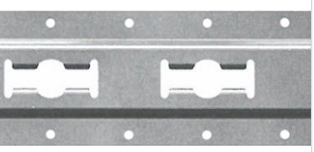
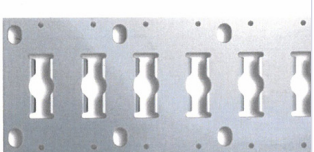
Load capacity: up to 2500 daN

Material: steel

Weight: 0.62 kg/pc



# ANCHORING ELEMENTS - ANCHOR RAILS

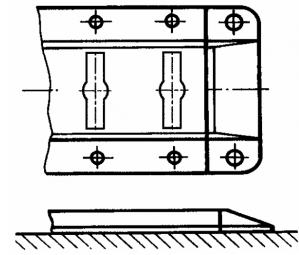
| TT-number   | Name  | Dimensions mm            | Material               | Weight kg/pc | Photo   |
|-------------|---|--------------------------|------------------------|--------------|---|
| 0921100.000 | Anchor rails - combined with $\varnothing$ 25 mm          | 131 x 12 x 3060 x 2.3    | galvanized steel       | 7.5          |    |
| 0921100.100 | Anchor rails - combined diameter 25                       | 131 x 11 x 3060 x 2.3    | stainless steel        | 7.5          |    |
| 0921109.000 | Anchor rails with keyholes                                | 140 x 22 x 3000 x 1.5    | galvanized steel       | 5.3          |    |
| 0921501.000 | Anchor rails with round holes diameter 20                 | 66.5 x 11.5 x 2993 x 1.8 | galvanized steel       | 2.8          |    |
| 0921502.000 | Anchor rails with round holes diameter 25                 | 66.5 x 11.5 x 2993 x 1.8 | galvanized steel       | 2.8          |   |
| 0921505.000 | Anchor rails with round and rectangular holes diameter 20 | 128 x 12 x 3000 x 2.5    | galvanized steel       | 6.74         |  |
| 0921506.000 | Anchor rails with round and rectangular holes diameter 25 | 131 x 11.5 x 3000 x 35   | galvanized steel       | 8.1          |  |
| 0921508.000 | Anchor rails combined diameter 25                         | 88 x 12 x 3048 x 2.5     | galvanized steel       | 5.1          |  |
| 0921512.000 | Anchor rails combined diameter 25                         | 130 x 12 x 3048 x 3      | Al, surface - anodized | 2.9          |  |
| 0921518.000 | Anchor rails combined - horizontal                        | 120 x 25, L = 3.5 m      | galvanized steel       | 11.6         |  |

# ANCHORING ELEMENTS - ANCHOR RAILS

## 0921105.000

### Plastic end cap for:

- 0921100.100
- 0921505.000
- 0921506.000
- 0921512.000



| TT-number   | Name  | Dimensions in mm | Material | Photo |
|-------------|---|------------------|----------|-------|
| 0921552.000 | AIRLINE anchoring bar                                       | 50 x 15 x 3000   | Al       |       |
| 0921554.000 | AIRLINE anchoring bar                                       | 34 x 9.6 x 3000  | Al       |       |
| 0921555.000 | AIRLINE anchoring bar                                       | 50 x 11.5 x 2000 | Al       |       |
| 0921556.000 | AIRLINE anchoring bar<br>For walls and floor (non-recessed) | 50 x 11.5 x 3000 | Al       |       |
| 0921557.000 | AIRLINE anchoring bar                                       | 54 x 10 x 3000   | Al       |       |
| 0921571.000 | Plastic end cap   | -                | plastic  |       |



## 0989366.000

### Airline latch type 571

- double assembly
- ring d = 40 mm
- LC = 2700 daN



## 0989365.000

### Airline latch type 570

- single assembly
- ring d = 35 mm
- LC = 1800 daN



# SPREADER RODS

| TT-number   | Name  | Length of rod mm | Material              | Weight kg/pc | Photo   |
|-------------|---|------------------|-----------------------|--------------|---|
| 0931300.000 | Partitioner between sideboards - complete set         | 2400 – 2700      | Al, surface - natural | 7.5          |    |
| 0931203.000 | Spreader rod, telescopic spring loaded diameter 34 20 | 2410 – 2510      | galvanized steel      | 6            |    |
| 0931501.000 | Spreader rod - diameter 42 mm                         | 2210 - 2590      | galvanized steel      | 7.8          |    |
| 0931502.000 | Spreader rod - diameter 42 mm                         | 2440 - 2520      | Al                    | 4.7          |    |
| 0931503.000 | Spreader rod diameter 42 19/24, 600 daN               | 2375 – 2750      | galvanized steel      | 9.3          |    |
| 0931506.000 | Spreader rod diameter 42 19/24, 500 daN               | 2000 - 2400      | galvanized steel      | 8.1          |   |
| 0931510.000 | Closet rod, for rails with keyholes, 350 daN          | 2420 - 2510      | chrome-plated steel   | 7.4          |  |
| 0931511.000 | Closet rod, for anchoring rails combined, 350 daN     | 2420 - 2510      | chrome-plated steel   | 7.7          |  |
| 0931401.000 | Vertical spreader rod - diameter 45 mm                | 2000 - 2700      | galvanized steel      | 7.0          |  |
| 0931401.100 | Vertical spreader rod - diameter 45 mm                | 2260 - 2960      | galvanized steel      | 7.1          |  |
| 0931403.000 | Vertical spreader rod                                 | 2000 - 2700      | stainless steel       | 7.0          |  |

# SPREADER RODS

| TT-number   | Name                                       | Length of rod mm | Material         | Weight kg/pc | Photo   |
|-------------|--|------------------|------------------|--------------|---|
| 0931520.000 | Spreader rod square 50 x 50, 700 daN       | 2300 - 2700      | galvanized steel | 11.5         |    |
| 0931534.000 | Beam 66 x 84 for KOMBI bars                | 2310 - 2590      | Al / steel       | 10           |    |
| 0931534.001 | Beam 66 x 84 for KOMBI bars, load 1250 daN | 1900 - 2180      | Al / steel       | 10           |    |
| 0931536.000 | Inter-sideboard spreader 40 x 40           | 1960 - 2910      | galvanized steel | 7.0          |    |
| 0931537.000 | Vertical spreader rod diameter 38          | 2275 - 2665      | Al               | 4            |    |
| 0931539.000 | Vertical spreader rod diameter 42 mm       | 2100 - 2470      | Al               | 5.0          |    |
| 0931540.000 | Vertical spreader rod diameter 42 mm       | 2350 - 2720      | Al               | 5.3          |    |
| 0931542.000 | Vertical spreader rod 35 x 35              | 1880 - 2852      | galvanized steel | 6.8          |   |
| 0931543.000 | Vertical spreader rod diameter 42 mm       | 2100 - 2470      | galvanized steel | 6.0          |  |
| 0931610.000 | Vertical spreader rod diameter 38 mm       | 2260 - 2630      | steel            | 5.4          |  |



## Car transport kit three-point attachment

### It consists of:

- free end with hook and with free hook inserted, usual length 2 - 3 metres
- fixed end with hook and ratchet, length 0.25 m short sewing

The wheel must be secured as shown



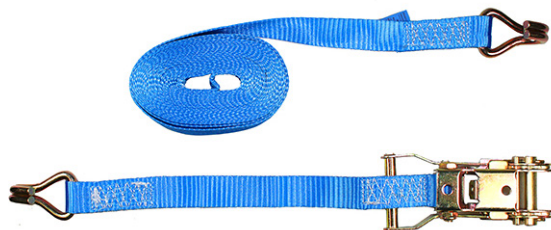
| TT-number   | Name   | Weight kg/pc |
|-------------|--|--------------|
| 0993374.020 | Car transport kit, three-point. - hook, 35 mm, LC 1500   | 2.1          |
| 0993373.125 | Car transport kit, three-point. - hook, LC 1500 daN, L = 2.5 m, including 3 pcs of abrasion protection | 2.1          |
| 0993375.125 | Car transport kit, two-point. - hook, LC 1500 daN, L = 1.5 m   | 2.1          |

# LASHING SETS - STRAPS 25 mm - ACCESSORIES

Lashing sets, belt width 25 mm.



| TT - number | Strap colour | Allowable tensile force in the loop |
|-------------|--------------|-------------------------------------|
| 0989110.000 | blue         | 1500 daN                            |



| TT-number   | Name  | Material   | Length | Weight kg/pc |
|-------------|---|--|--------|--------------|
| 0984032.204 | <b>Lashing set - hook</b><br>Maximum force for use in direct pull - LC: 500 daN<br>Tensioning force of the ratchet - STF: 100 daN | Strap - material: polyester<br>End caps - material: galvanized steel | 4 m    | 0.7          |
| 0984032.205 | <b>Lashing set - hook</b><br>Maximum force for use in direct pull - LC: 500 daN<br>Tensioning force of the ratchet - STF: 100 daN | Strap - material: polyester<br>End caps - material: galvanized steel | 5 m    | 0.8          |
| 0984032.206 | <b>Lashing set - hook</b><br>Maximum force for use in direct pull - LC: 500 daN   | Strap - material: polyester<br>End caps - material: galvanized steel | 6 m    | 0.9          |

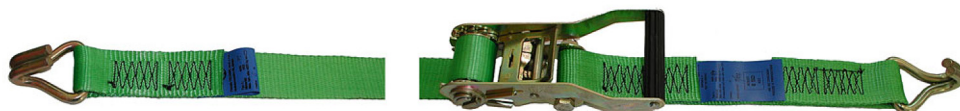
**0989332.000**  
**Hook**



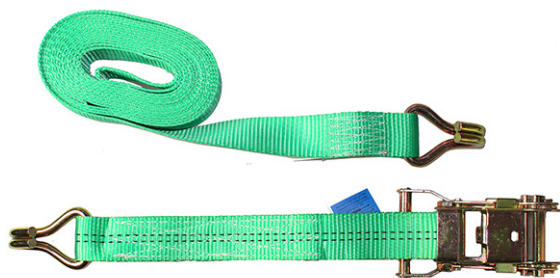
# LASHING SETS - STRAPS 35 mm - ACCESSORIES

## Lashing set, strap width 35 mm.

Certificate No. 833 for approval of technical quality was issued for the above-mentioned sets.



| TT - number | Strap colour | Allowable tensile force in the loop |
|-------------|--------------|-------------------------------------|
| 0989113.000 | green        | 3000 daN                            |



| TT-number   | Name   | Material   | Length | Weight kg/pc |
|-------------|--|--|--------|--------------|
| 0991041.204 | <b>Lashing set - hook</b><br>Maximum force for use in direct pull - LC: 1000 daN<br>Tensioning force of the ratchet - STF: 150 daN | Strap - material: polyester<br>End caps - material: galvanized steel | 4 m    | 0.8          |
| 0991041.205 | <b>Lashing set - hook</b><br>Maximum force for use in direct pull - LC: 1000 daN<br>Tensioning force of the ratchet - STF: 150 daN | Strap - material: polyester<br>End caps - material: galvanized steel | 5 m    | 0.9          |
| 0991041.206 | <b>Lashing set - hook</b><br>Maximum force for use in direct pull - LC: 1000 daN<br>Tensioning force of the ratchet - STF: 150 daN | Strap - material: polyester<br>End caps - material: galvanized steel | 6 m    | 1            |
| 0991041.208 | <b>Lashing set - hook</b><br>Maximum force for use in direct pull - LC: 1000 daN<br>Tensioning force of the ratchet - STF: 150 daN | Strap - material: polyester<br>End caps - material: galvanized steel | 8 m    | 1            |

## 0989341.000 Hook



### Standard sets:

| order number | set name   |
|--------------|--|
| 0991001.xxx  | belting (one-piece)  |
| 0991141.xxx  | <b>VK</b> free end (end cap + strap)                           |
| 0991541.xxx  | <b>PK</b> fixed end (end cap + ratchet, standard length 0.5 m) |
| 0991041.xxx  | spike hook   |
| 0991040.xxx  | single hook  |

# LASHING SETS - STRAPS 50 mm

## Standard lashing sets - stock items

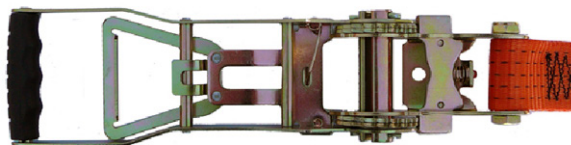


| TT-number   | Strap width mm | Description / LC - maximum force for use in direct pull / Set length |
|-------------|----------------|--|
| 0995073.206 | 50             | Lashing set - hook, LC 2500 daN, L = 6 m                             |
| 0995073.208 | 50             | Fastening set - hook, LC 2500 daN, L = 8 m                           |
| 0995073.210 | 50             | Lashing set - hook, LC 2500 daN, L = 10 m                            |
| 0995073.212 | 50             | Lashing set - hook, LC 2500 daN, L = 12 m                            |
| 0995173.208 | 50             | Lashing strap set - hook, LC 2500 daN, L = 8 m                       |
| 0995173.210 | 50             | Lashing strap set - hook, LC 2500 daN, L = 10 m                      |
| 0995173.212 | 50             | Lashing strap set - hook, LC 2500 daN, L = 12 m                      |

### 0989373.000 Hook



### Lashing sets with extended ratchet (ERGO)



| TT-number   | Strap width mm | Description / LC - maximum force for use in direct pull / Set length |
|-------------|----------------|--|
| 0996073.206 | 50             | ERGO Lashing strap set - hook, LC 2500 daN, L = 6.0 m                |
| 0996073.208 | 50             | ERGO Lashing strap set - hook, LC 2500 daN, L = 8.0 m                |
| 0996073.210 | 50             | ERGO Lashing strap set - hook, LC 2500 daN, L = 10.0 m               |
| 0996573.205 | 50             | ERGO Lashing set fixed end - hook, LC 2500 daN, L = 0.5 m            |

# LASHING SETS - STRAPS 50 mm - ACCESSORIES

## Lashing sets, strap width 50 mm.

Certificate No. 833 for approval of technical quality was issued for the above-mentioned sets.



### Division of straps

| Strap marking | Strap colour | Permissible pulling force in the loop kN |
|---------------|--------------|--|
| 0989110.000   | blue         | 15                                       |
| 0989113.000   | green        | 30                                       |
| 0989130.000   | orange       | 48                                       |
| 0989150.000   | orange       | 75                                       |

### Ratchets R

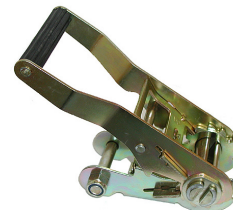
0989220.000  
Self-locking buckle 50 mm



0989262.000  
Ratchet short 50 mm



0989260.000  
Ratchet long for 50 mm belt



0989420.000  
Protective plastic corner



0989425.000  
Plastic protective corner 200x160



## LASHING SETS - STRAPS 75 mm

---

**0999074.xxx**

**Lashing set**, with triangle hooks, strap width 75 mm

The straps are supplied in lengths according to customer requirements

Tensile strength 5,000 daN

Loop strength 10,000 daN



**0999073.xxx**

**Lashing set**, with hooks, belt width 75 mm

The straps are supplied in lengths according to customer requirements

Tensile strength 5,000 daN

Loop strength 10,000 daN





# LASHING SETS - STRAPS 50 mm - ACCESSORIES

0989355.000  
Lightweight flat hook



0989374.010  
Eye triangular



0989374.010  
End cap for round holes of anchor rails



0989368.000  
Carabiner hook with latch on triangle



0989369.000  
Carabiner rotated



0989370.000  
Flat carabiner



0989415.000  
Protective rubber cover



0989410.000  
Protective hose 300 mm



0989378.000  
Crimping clamp for anchor rails



0989452.000  
Anti-slip washer 5000 x 500 x 8



0989453.000  
Anti-slip washer 5000 x 250 x 8



# CUSTOM CLAMPING SETS

## How to order belts

Clamping sets other than the listed standard ones are supplied after consultation with the manufacturer, i.e. Trans-Technik spol. s.r.o. For the supplied clamping sets, any repairs and replacement of damaged parts are carried out by agreement, according to the valid price list.

## Belt types

They differ in the width range of load capacities and anchoring hooks. The tension of the strap is ensured by a ratchet, which is sufficiently dimensioned for this purpose. Belts with a free end are also a matter of course.

### Properties

- Material polyester
- Approved according to EN12645
- Belt width from 25mm to 75mm
- Various color versions
- Belt length as required



## Ending belts and accessories

We are able to offer several types of finishing elements and accessories for each custom-made belt. As standard, we sew belts that contain ratchets, carabiners, hooks of various shapes or buckles. We also supply non-slip mats or protective plastic corners for the belt.

### Do you need a custom made belt?

Contact our sales department and we will be happy to help you with everything. You can also find the current offer of standard belts and accessories on the website [www.trans-technik.cz](http://www.trans-technik.cz) in the Clamping sets, belts section



## One-piece clamping chain

Manufactured according to standard EN 12195-3  
G8 strength classes



| TT-number   | Name                            | LC - load limit<br>daN | Length<br>m | Chain size | STF with SHF<br>50 daN * |
|-------------|---------------------------------|------------------------|-------------|------------|--------------------------|
| 0999075.035 | Anchor clamping chain one-piece | 2200                   | 3.5         | 6 - 8      | 1900 daN                 |
| 0999076.035 | Anchor clamping chain one-piece | 4000                   | 3.5         | 8 - 8      | 3150 daN                 |
| 0999077.035 | Anchor clamping chain one-piece | 6300                   | 3.5         | 10 - 8     | 3150 daN                 |
| 0999078.035 | Anchor clamping chain one-piece | 10000                  | 3.5         | 13 - 8     | 3150 daN                 |

## Two-piece clamping chain

Manufactured according to standard EN 12195-3  
G8 strength classes



| TT-number   | Name                            | LC - load limit<br>daN | Length<br>m | Chain size | STF with SHF<br>50 daN * |
|-------------|---------------------------------|------------------------|-------------|------------|--------------------------|
| 0999175.035 | Anchor clamping chain two-piece | 2000                   | 3.5         | 6 - 8      | 1900 daN                 |
| 0999176.035 | Anchor clamping chain two-piece | 4000                   | 3.5         | 8 - 8      | 3150 daN                 |
| 0999177.035 | Anchor clamping chain two-piece | 6300                   | 3.5         | 10 - 8     | 3150 daN                 |
| 0999178.035 | Anchor clamping chain two-piece | 10000                  | 3.5         | 13 - 8     | 3150 daN                 |